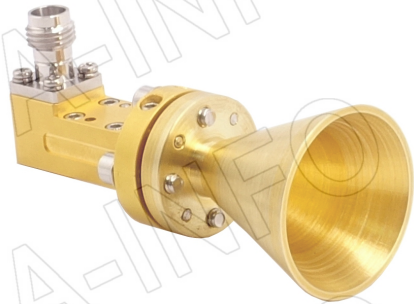


For reference only. See data sheet for the detailed specifications.

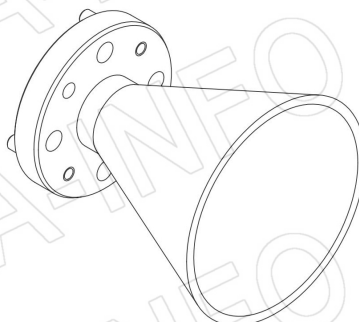
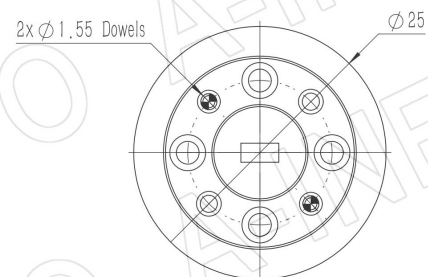
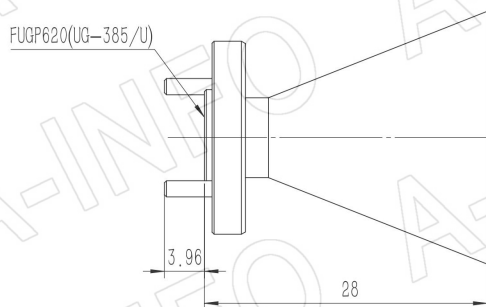
## Technical Specification



Frequency Range(GHz)	A Type, WG output:	50.0 – 75.0
	C Type, 1.85mm-F:	50.0 – 65.0
	C Type, 1.0mm-F:	50.0 – 75.0
Waveguide	WR15	
Gain(dBi)	20 Typ.	
Polarization	Linear	
3dB Beamwidth(deg)	E Plane:	20 Typ.
	H Plane:	17 Typ.
Cross Pol. Isolation(dB)	40 Typ.	
VSWR	A Type:	2.50:1 Max.
	C Type:	2.50:1 Max.
Output	A Type:	FUGP620(UG-385/U)
	C Type:	1.85mm-Female or 1.0mm-Female
Material	Cu	
Finish	Gold Plated	
Size(mm)	A Type:	25 x 25 x 28
	C Type:	25 x 29.6 x 56
Net Weight(Kg)	A Type:	0.02 Around
	C Type:	0.05 Around

## Outline Drawing (Size: mm)

FUGP620 Output (P/N: YLB-15-20-A)



**AINFO Inc.**

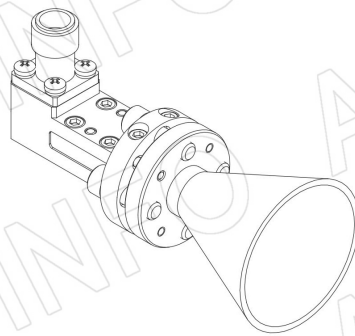
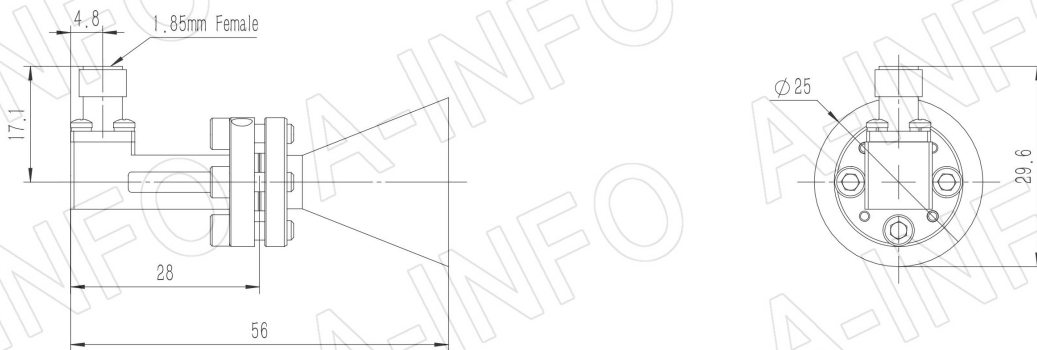
China(Beijing): Tel: (+86) 10-6266-7326,  
China(Chengdu): Tel: (+86) 28-8519-2786,  
USA: Tel: (+1) 949-639-9688,

Page 1 of 15  
(+86) 10-6266-7327 Fax: (+86) 10-6266-7379  
(+86) 28-8519-3044 Fax: (+86) 28-8519-3068  
(+1) 949-639-9608 Fax: (+1) 949-639-9670

Website: [www.ainfoinc.com](http://www.ainfoinc.com)  
Email: [sales@ainfoinc.com](mailto:sales@ainfoinc.com)

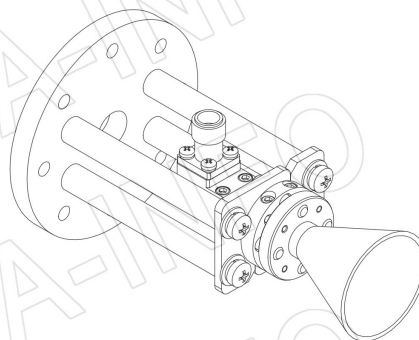
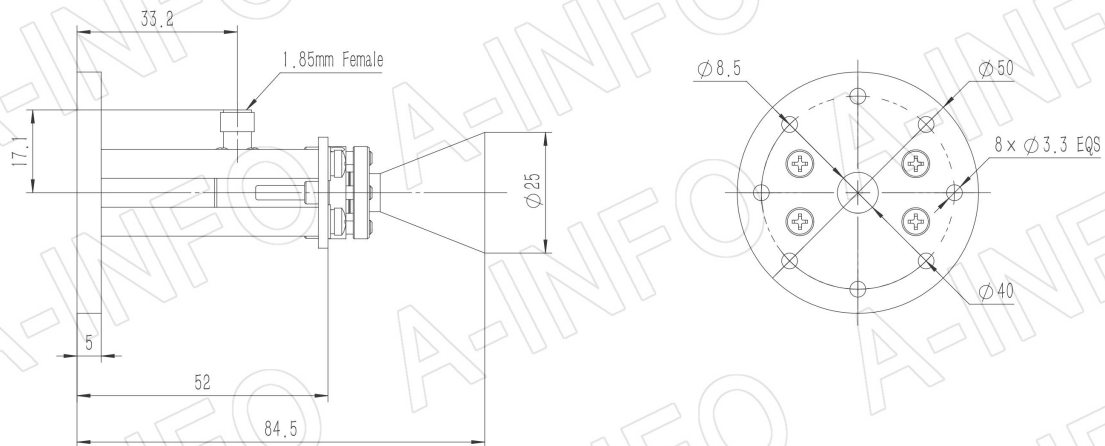
## 1.85mm-Female Output (P/N: YLB-15-20-C-1.85F)

For 1.0mm-Female output outline drawing, please contact A-INFO.



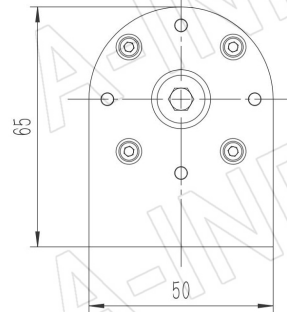
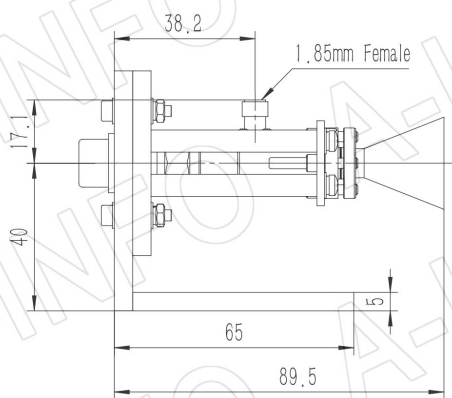
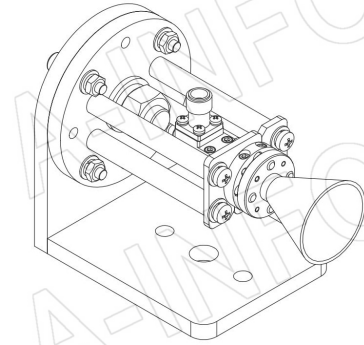
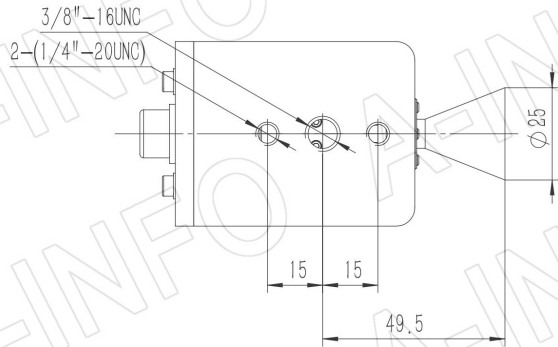
## 1.85mm-Female Output with Round Mounting Bracket (Option, P/N: LB-15-10-C-MB)

For 1.0mm-Female output outline drawing, please contact A-INFO.

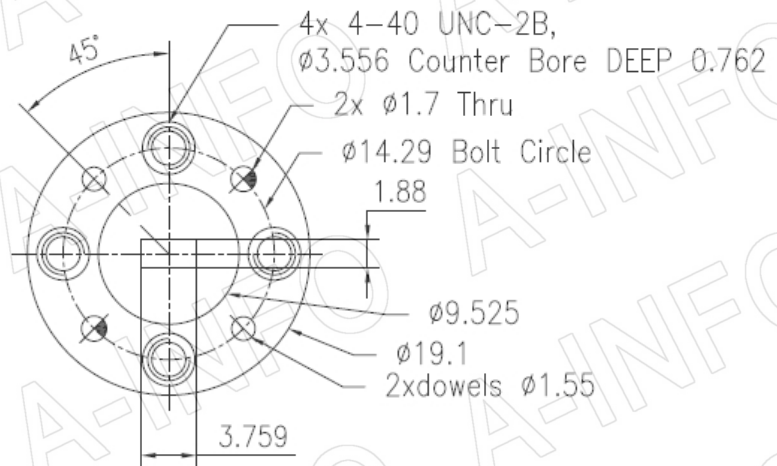
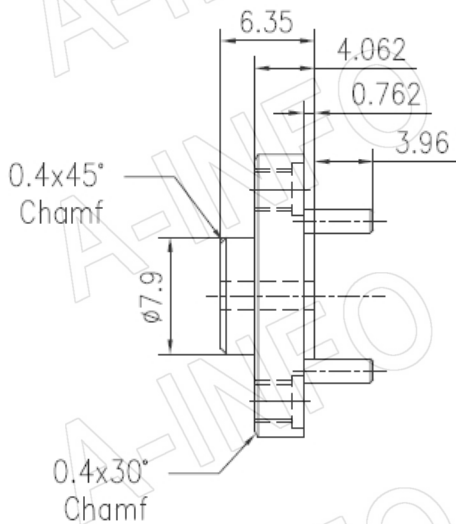


## 1.85mm-Female Output with L Type Mounting Bracket (Option, P/N: LB-15-10-C-MBL)

For 1.0mm-Female output outline drawing, please contact A-INFO.



## Flange Drawing (Size: mm)



FUGP620  
(equivalent to UG-385/U)

## AINFO Inc.

China(Beijing): Tel: (+86) 10-6266-7326,  
China(Chengdu): Tel: (+86) 28-8519-2786,  
USA: Tel: (+1) 949-639-9688,

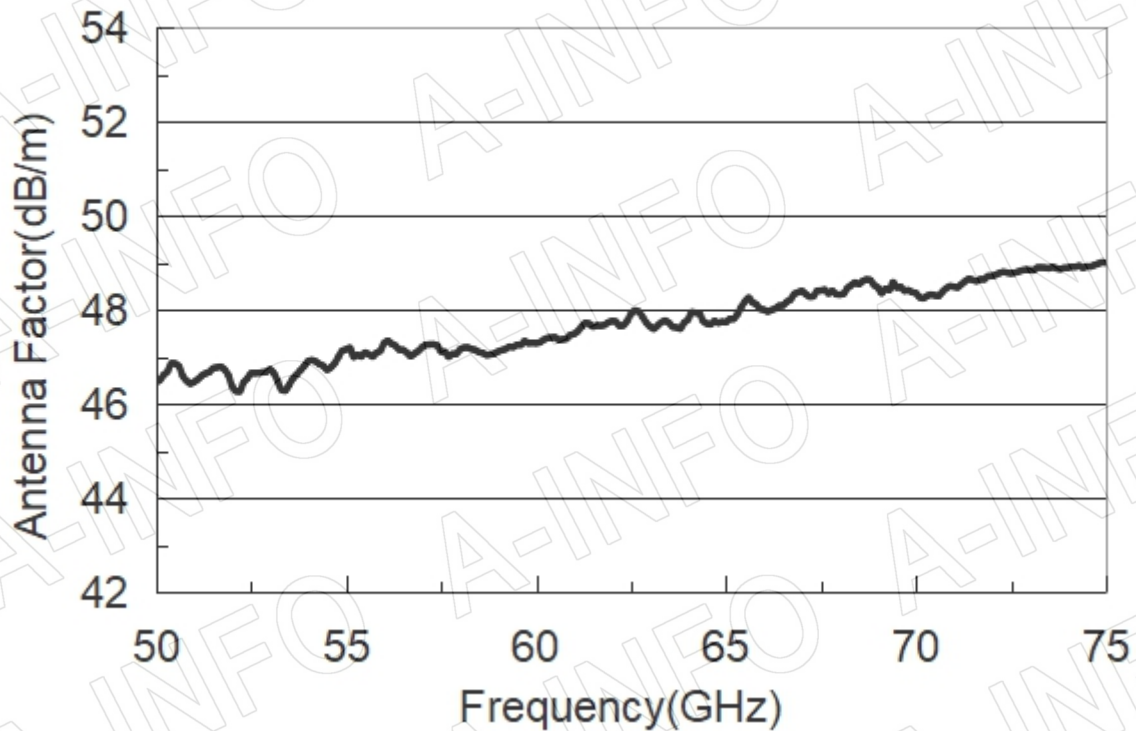
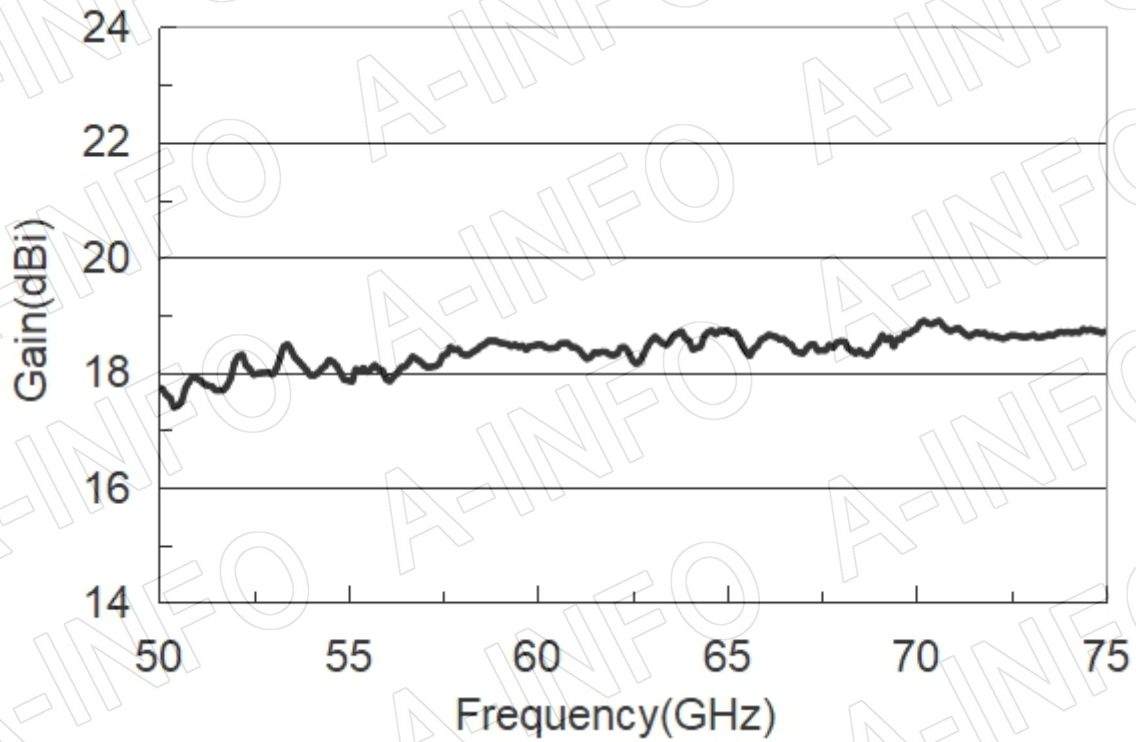
Page 3 of 15  
(+86) 10-6266-7327 Fax: (+86) 10-6266-7379  
(+86) 28-8519-3044 Fax: (+86) 28-8519-3068  
(+1) 949-639-9608 Fax: (+1) 949-639-9670

Website: [www.ainfoinc.com](http://www.ainfoinc.com)  
Email: [sales@ainfoinc.com](mailto:sales@ainfoinc.com)

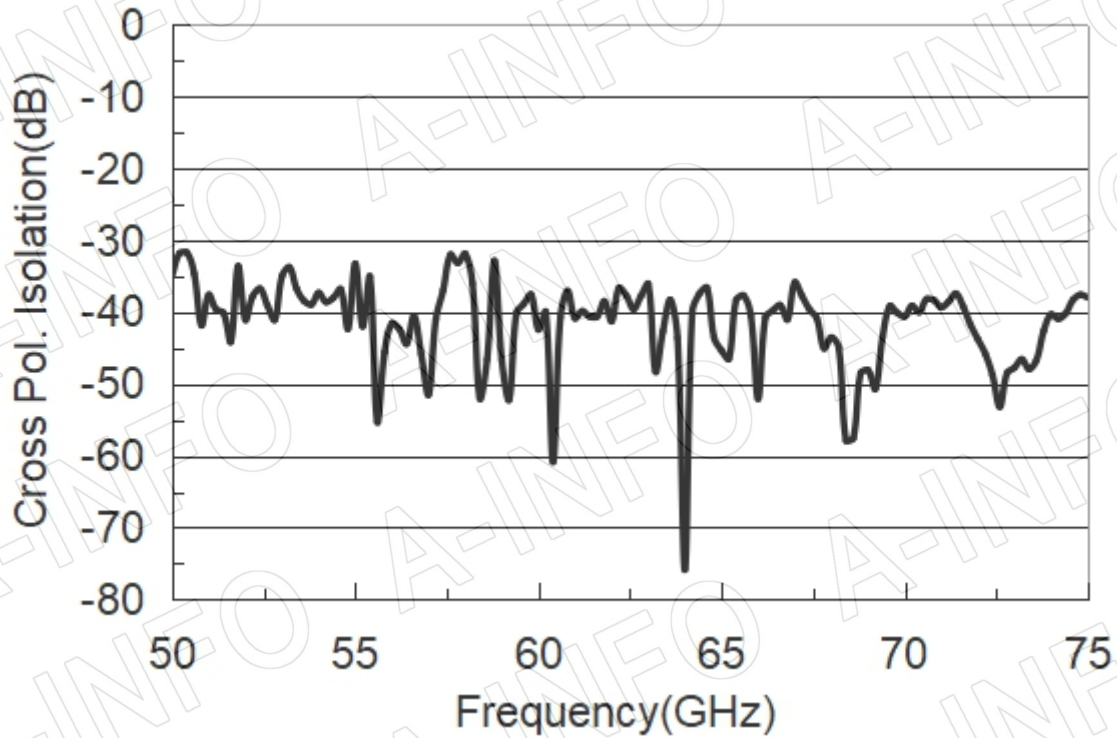


## Test Results

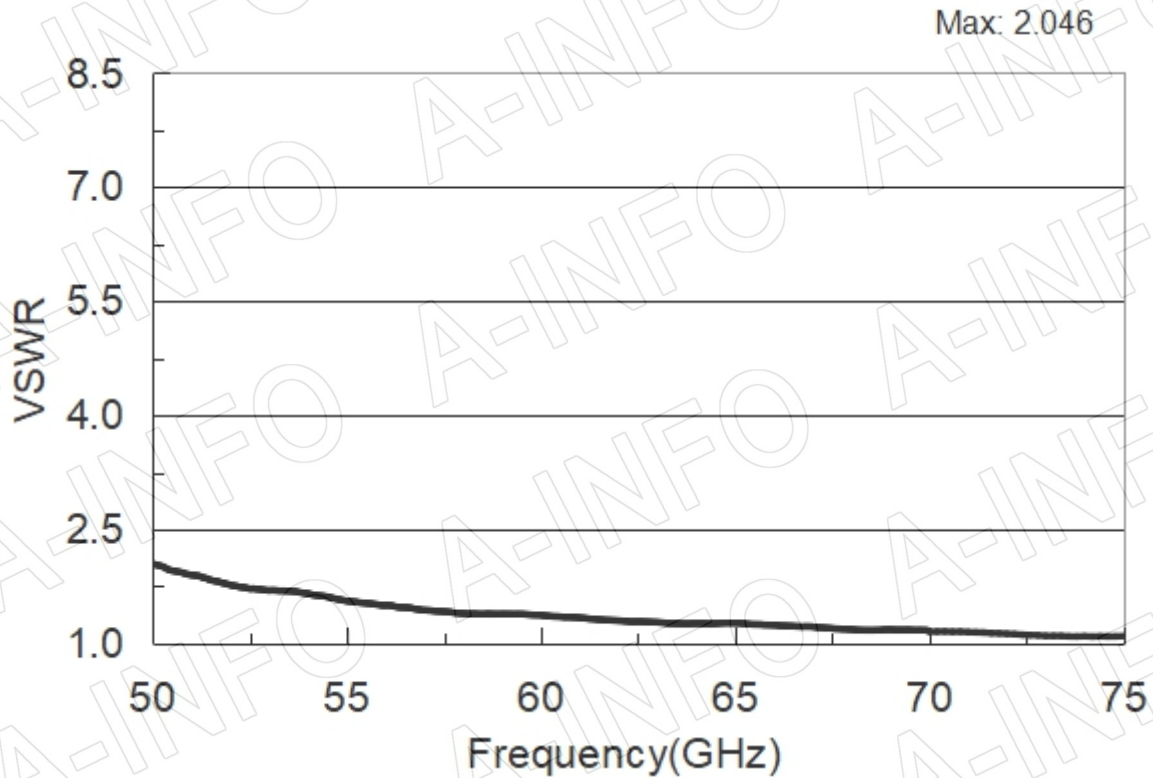
### 1. Gain & Antenna Factor



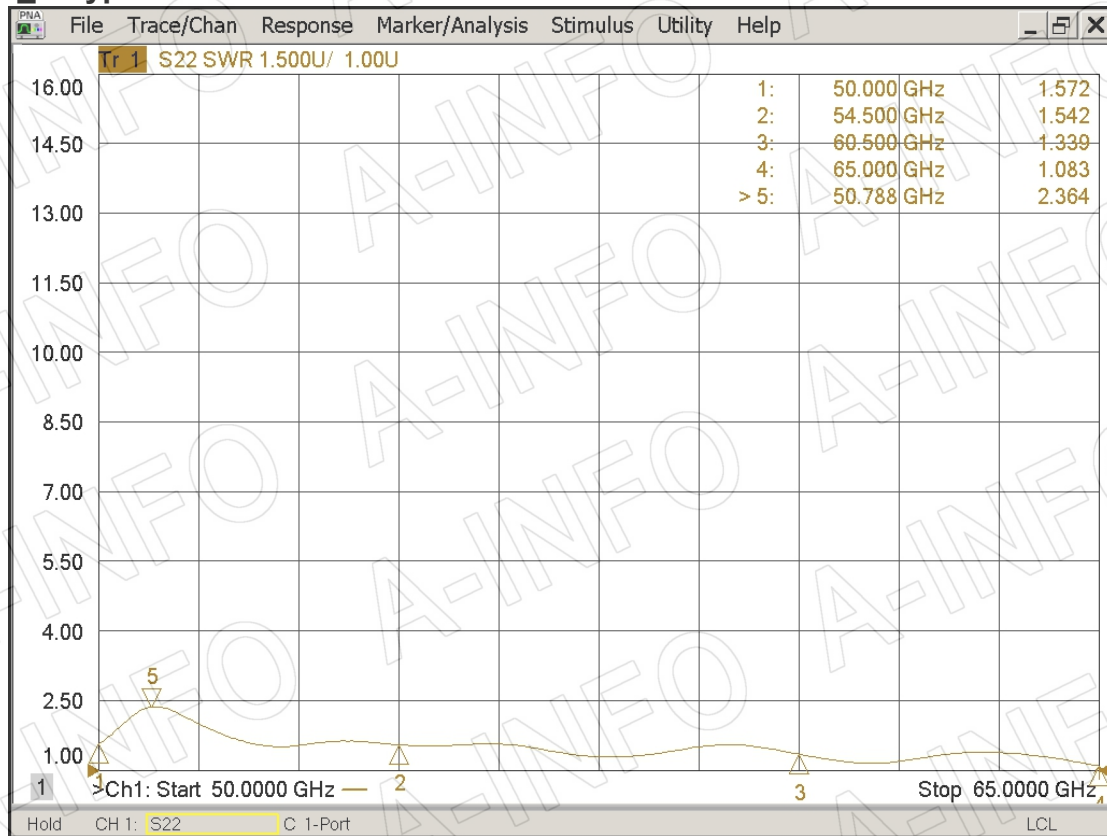
## 2. Cross Polarization Isolation



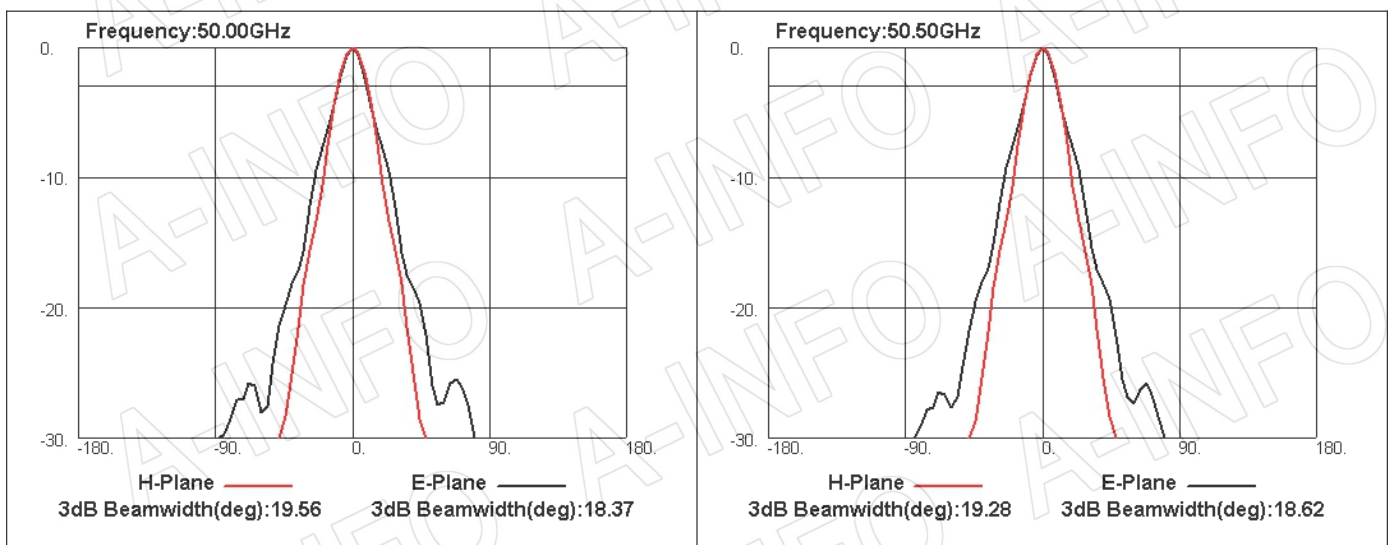
## 3. VSWR\_A Type



## VSWR\_C Type



## 4. Pattern



**AINFO Inc.**

China(Beijing): Tel: (+86) 10-6266-7326,  
China(Chengdu): Tel: (+86) 28-8519-2786,  
USA: Tel: (+1) 949-639-9688,

(+86) 10-6266-7327  
(+86) 28-8519-3044  
(+1) 949-639-9608

Fax: (+86) 10-6266-7379  
Fax: (+86) 28-8519-3068  
Fax: (+1) 949-639-9670

Website: [www.ainfoinc.com](http://www.ainfoinc.com)  
Email: [sales@ainfoinc.com](mailto:sales@ainfoinc.com)

